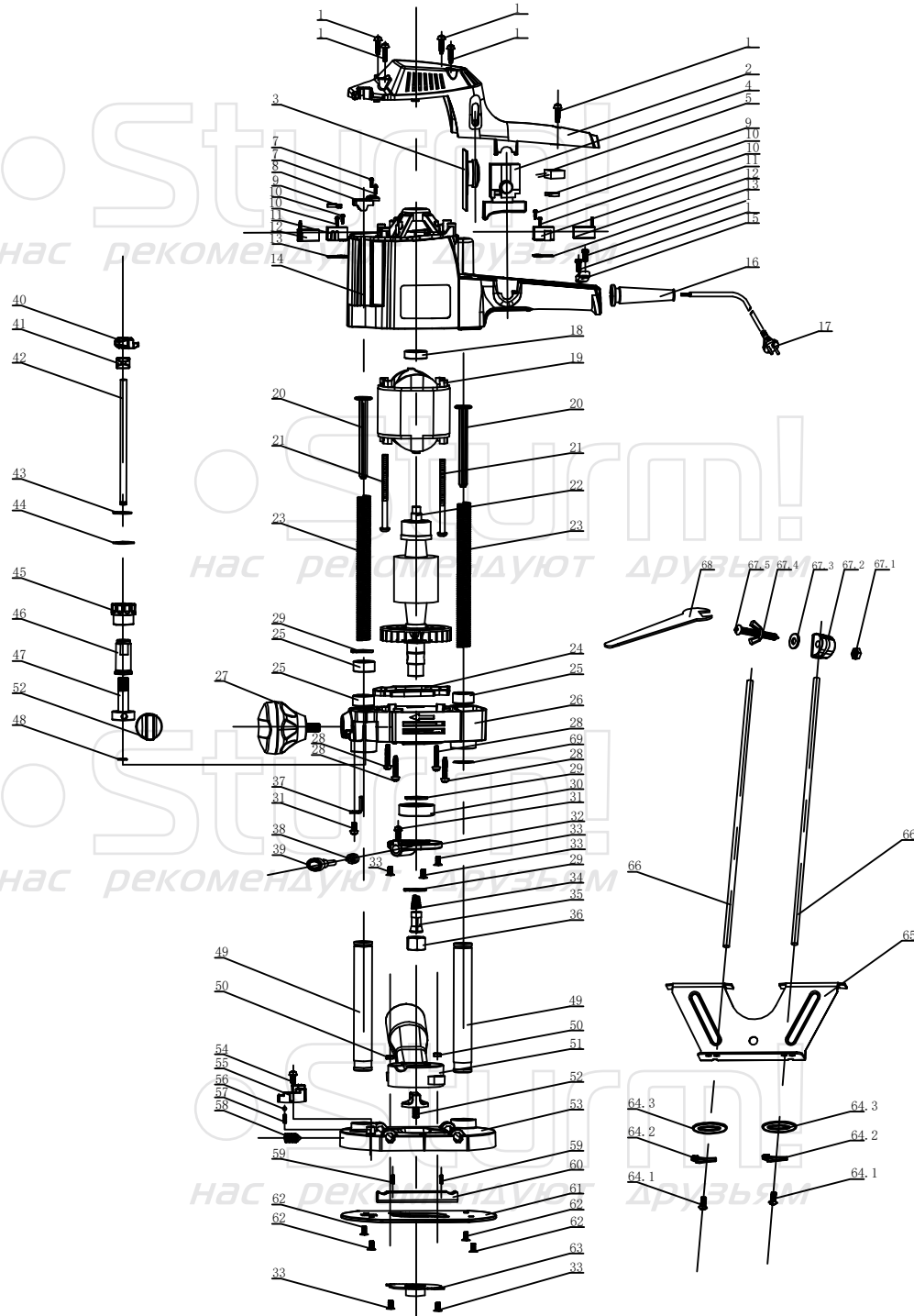


ER1125



NO.	DESCRIPTION	NO.	DESCRIPTION
1	SCREW ST4X16MM	39	LOCKING BUTTON
2	REAR VOCER	40	RULER KNOB
3	VARIABLE SPEED SWITCH	41	RULER POINTER
4	SWITCH	42	RULER
5	CAPACITOR	43	CIRCLIP
7	SCREW ST4X12	44	WASHER
8	PRESS BOARD	45	ADJUSTMET KNOB
9	COIL SPRING	46	BOLT COVER
10	SCREW ST3X8	47	BOLT
11	BRUSH HOLDER	48	CIRCLIP
12	CARBON BRUSH	49	TUBE
13	WASHER	50	NUT M4
14	HOUSING	51	TRANSPARE COVER
15	CABLE CLAMP	52	KNOB M6
16	CABLE SLEEVE	53	BASE
17	CABLE	54	SCREW M5X12
18	BEARING 608Z	55	DEPTH BLOCK
19	STATOR	56	STEEL BALL
20	POLE	57	SPRING
21	SCREW ST4X65	58	SCREW M6X15
22	ROTOR	59	SPRING
23	SPRING	60	MIDDLE BOARD
24	WIND GUIDE	61	BASE COVER
25	BUSH	62	SCREW M4X8
26	FRONT COVER	63	GUIDE BUSH
27	BALL HANDLE	64.1	SCREWM5X10
28	BEARING ST4X40	64.2	SPRING WASHER
29	CIRCLIP	64.3	PLAINT WASHER
30	BEARING 6003Z	65	PARALLE BOARD
31	SCREW M4X6	66	GUIDE POLE
32	BEARING PRESS BOARD	67.1	NUT M6
33	SCREW M4X16	67.2	SCREW HOLDER
34	SPRING	67.3	WASHER
35	COLLECTOR	67.4	WING NUT M6
36	NUT	67.5	SCREW M6X50
37	POSITION BLOCK	68	WRENCH
38	SPRING	69	O-RING

ER1125-EX-RUS20230512

Sturm!
нас рекомендуют друзьям